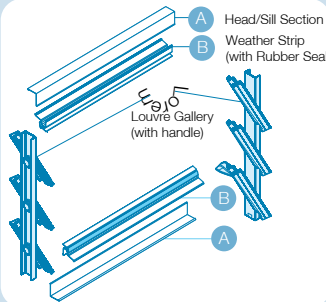
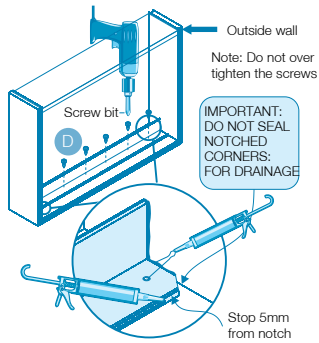
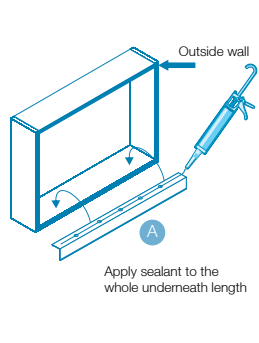
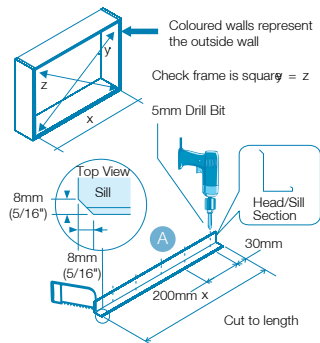


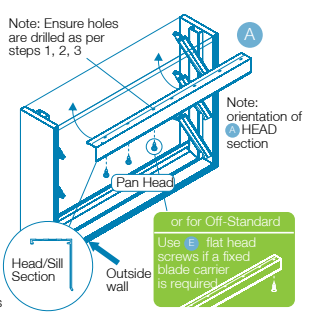
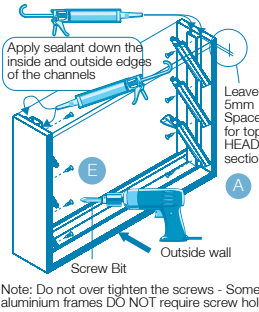
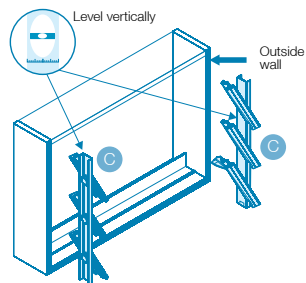
Installation Instructions

<p>Standard Height Gallery</p> 	<p>Fixings</p> <ul style="list-style-type: none"> <li>D Stainless Steel Pan Head Screws 6 Gauge x 20mm Long</li> <li>E Stainless Steel Flat Head Countersunk Screws 8 Gauge x 30mm Long</li> <li>F Power Drill (long drill bit required)</li> <li>G Sealant</li> <li>H Spirit Level</li> <li>I Hacksaw (Off-Standard Gallery Only)</li> </ul>	<p>Off-Standard Height</p> <ul style="list-style-type: none"> <li>J Glass or Aluminium Extension Blade Carrier</li> </ul>
--	---	---

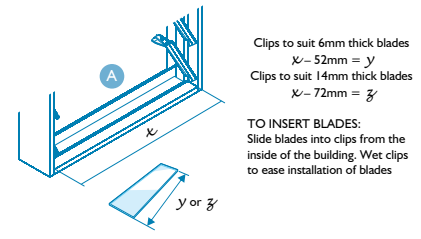
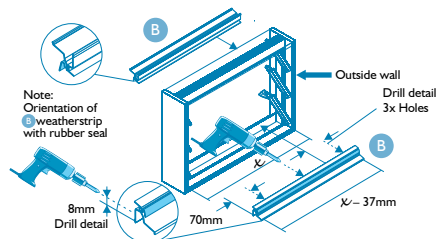
- 1 Check frame to be true, drill holes in sill
- 2 Apply sealant to sill
- 3 Attach sill



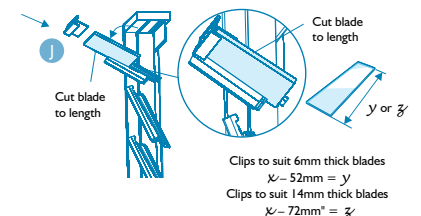
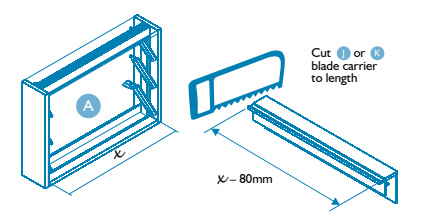
- 4 Insert louvre galleries
- 5 Attach Louvre galleries
- 6 Insert and attach head section



- 7 Check galleries to be true and plumb (Standard Height Only)
- 8 Calculation of blade width (Standard Height Only)



- 7a Cut blade carrier to length (Off-Standard Height Only)
- 8a Assemble blade carrier and blade into galleries (Off-Standard Height Only)



- 8b Rotate blade and attach (Off-Standard Height Only)
- 9 Insert blades and close louvres (Off-Standard Height Only)

